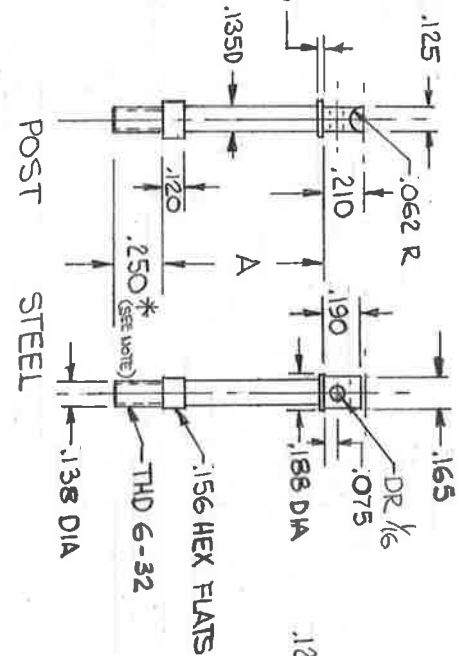


LEFT SIDE

RIGHT SIDE

STA	L
.410	.667 S
.750	.458 S 2
4.315	.667 S
8.430	.667
SAND DOME	.667
13.195	.667
19.070	.667
23.235	.667
27.435	.667
30.850	.770
31.840	.770
34.750	.667

STA	L
.750	.479 S 3
1.335	.667 S
4.315	.667 S
8.430	.562 S
SAND DOME	.667
13.195	.583
19.070	.562 S
23.235	.562 S
27.435	.562 S
30.850	.458
34.750	.667



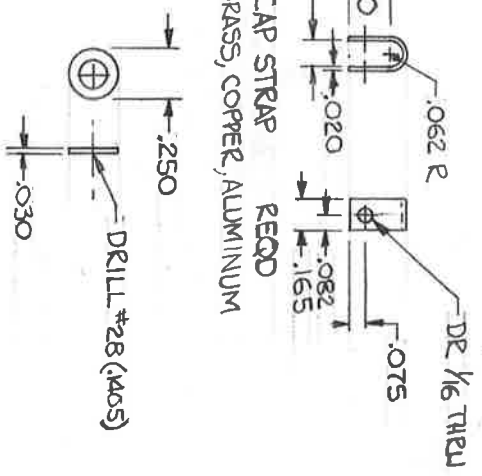
POST STEEL

POST REQUIREMENTS

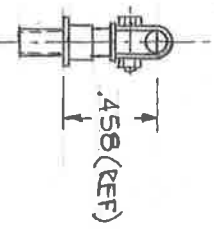
REQD	"A"	FOR "L"
1	.343	.583
4	.322	.562 S
13	.427	.667
2	.530	.770
3	.218	.458
3	.259	.479

NOTE:
DIMENSION MARKED * TO BE
.312 ON ALL STANCHIONS WITH
AN "S" SUFFIX TO THE "L" DIM.

BASE WASHER
MACHINE FROM BRASS BAR



TYPICAL STANCHION
ACTUAL SIZE



HAND RAIL STANCHIONS

B & O P-7 #5300 1"

I. D. ALKIRE FEB 25, 1964