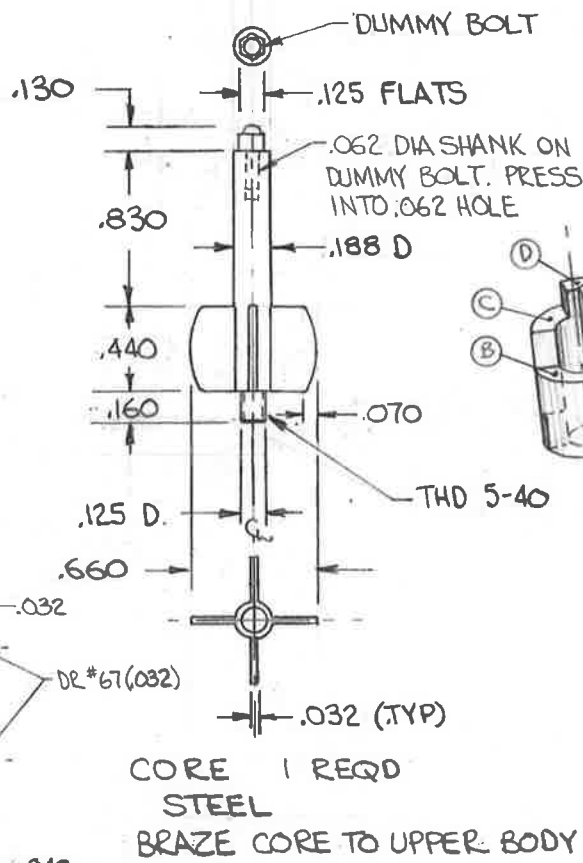
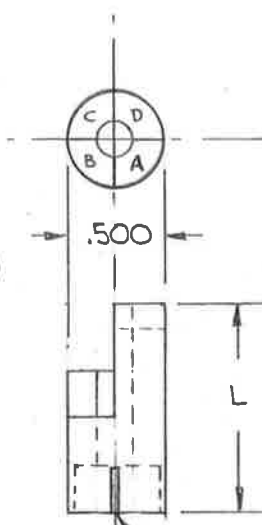


ASSEMBLY

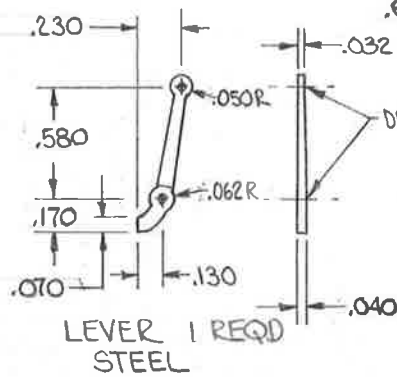


CORE 1 REQD
STEEL
BRAZE CORE TO UPPER BODY

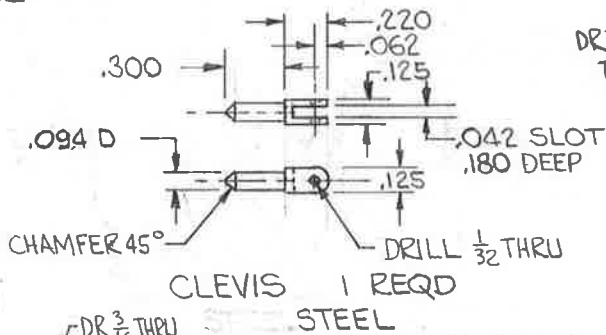


QUAD	L
A	1.080
B	.500
C	.740
D	.960

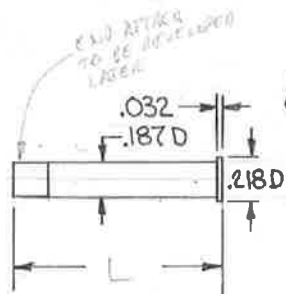
DR $\frac{3}{16}$ THRU
C'BORE $\frac{1}{16}$ x .250 DEEP
SLOT .032 x .250 DEEP
4 EQ. SP. PLACES
UPPER BODY 1 REQD
STEEL



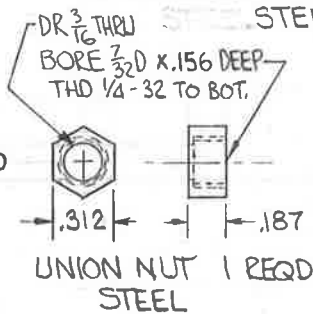
LEVER 1 REQD
STEEL



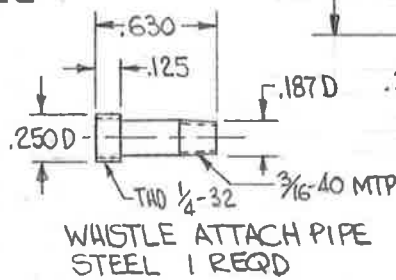
CLEVIS 1 REQD
STEEL



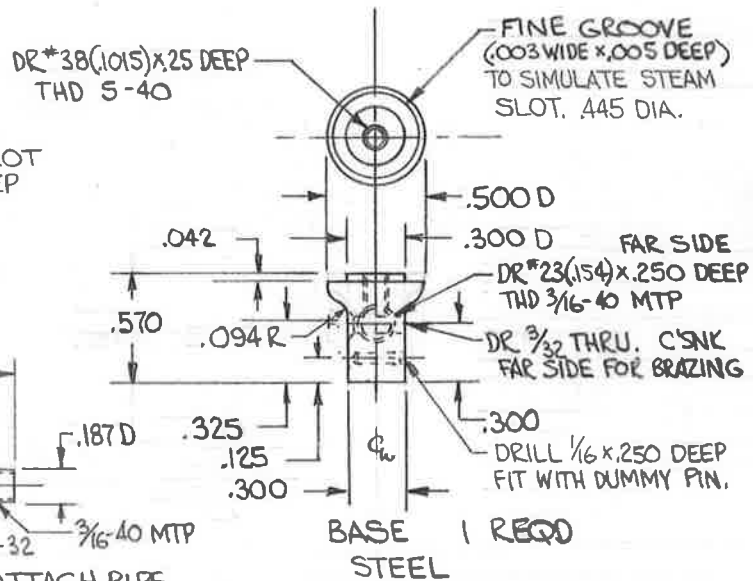
STEAM DOME ATTACH
1 REQD
STEEL



UNION NUT 1 REQD
STEEL



WHISTLE ATTACH PIPE
STEEL 1 REQD



BASE 1 REQD
STEEL

NOTE:
FOR DETAILS NOT SPECIFICALLY DIMENSIONED
MAKE PARTS APPROX AS SHOWN IN PICTURE.