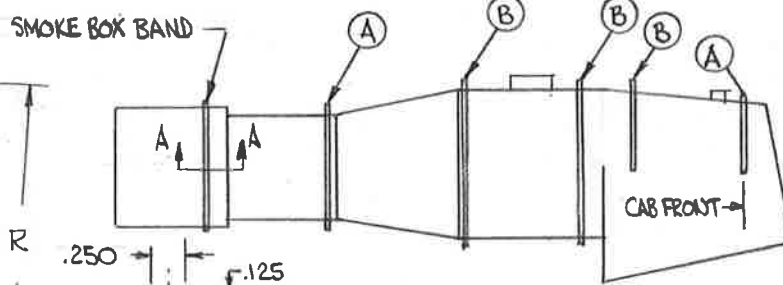


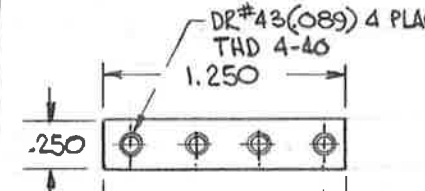
TYPE	LOCAT.	QUAN.	R
A	FRONT	4	3.280
B	MAIN	10	3.775
A	REAR	2	3.280

LAGGING SUPPORT RINGS
ST. STEEL 16 REQD

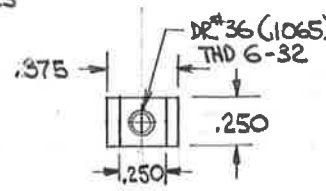


SMOKE BOX BAND
SECTION A-A
SMOKE BOX BAND

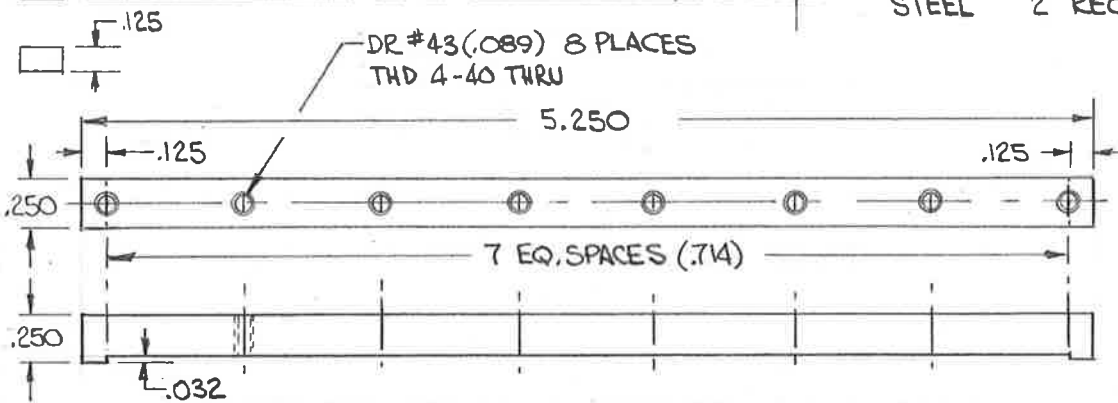
LAGGING RING LOCATIONS
LOCATE APPROX AS SHOWN TO
CLEAR OTHER APURTENANCES



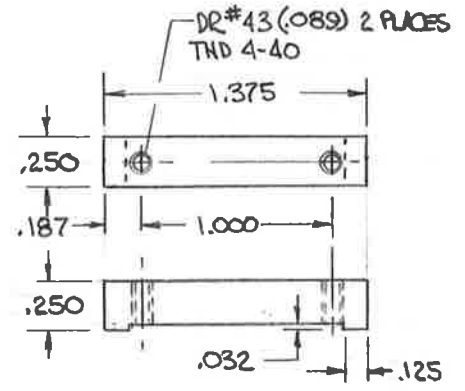
NUT STRIP - DYNAMO BRKT.
STEEL 2 REQD



BOILER SHELL PLATE - NUT
STEEL - 19 REQD
* DIM. MAY BE CHANGED AS
REQD TO SUIT SURFACE
IRREGULARITIES.



BOILER SHELL NUT STRIP - RUNNING BOARD AFT END
STEEL 2 REQD



BOILER STEP NUT STRIP 2 REQD
STEEL