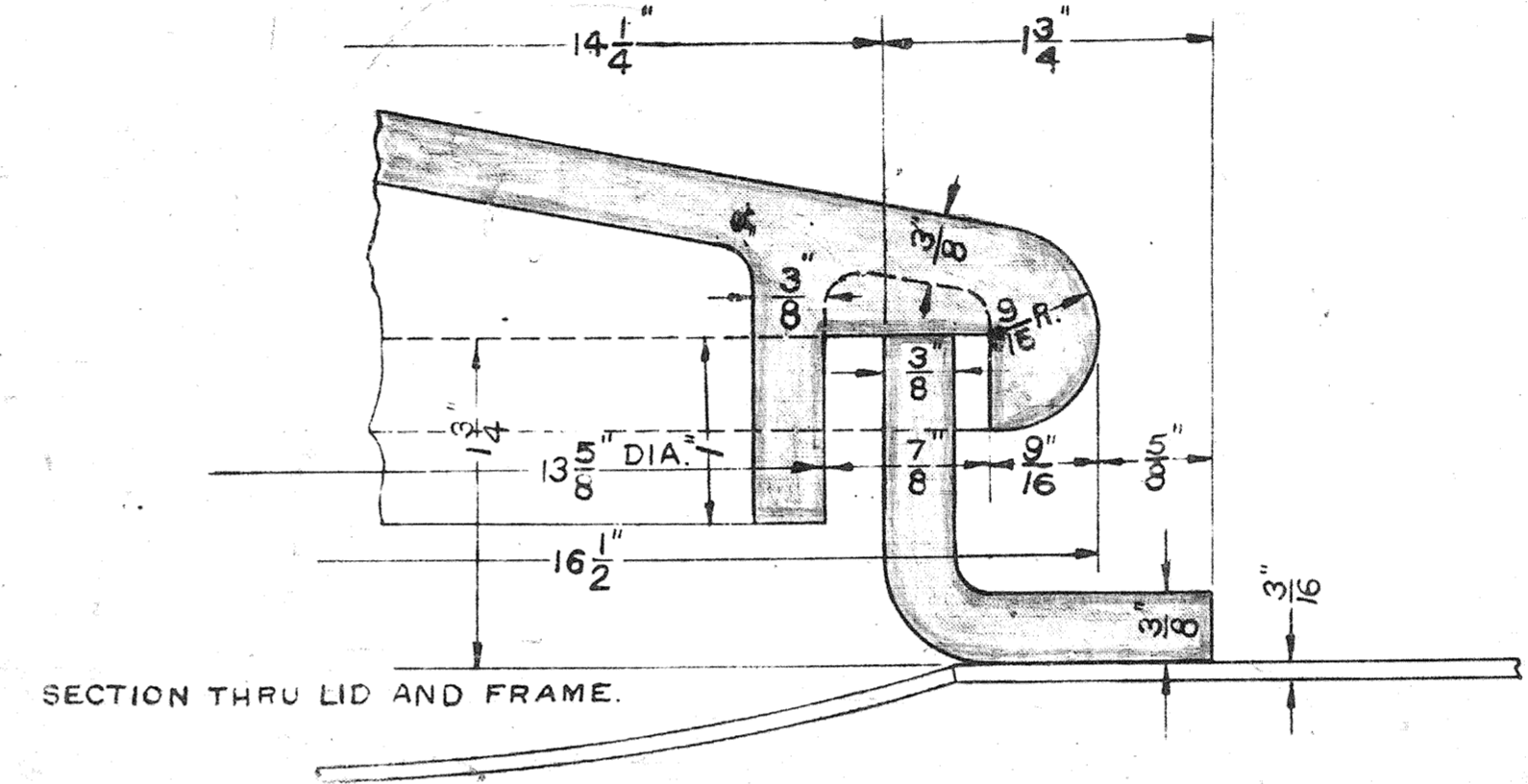
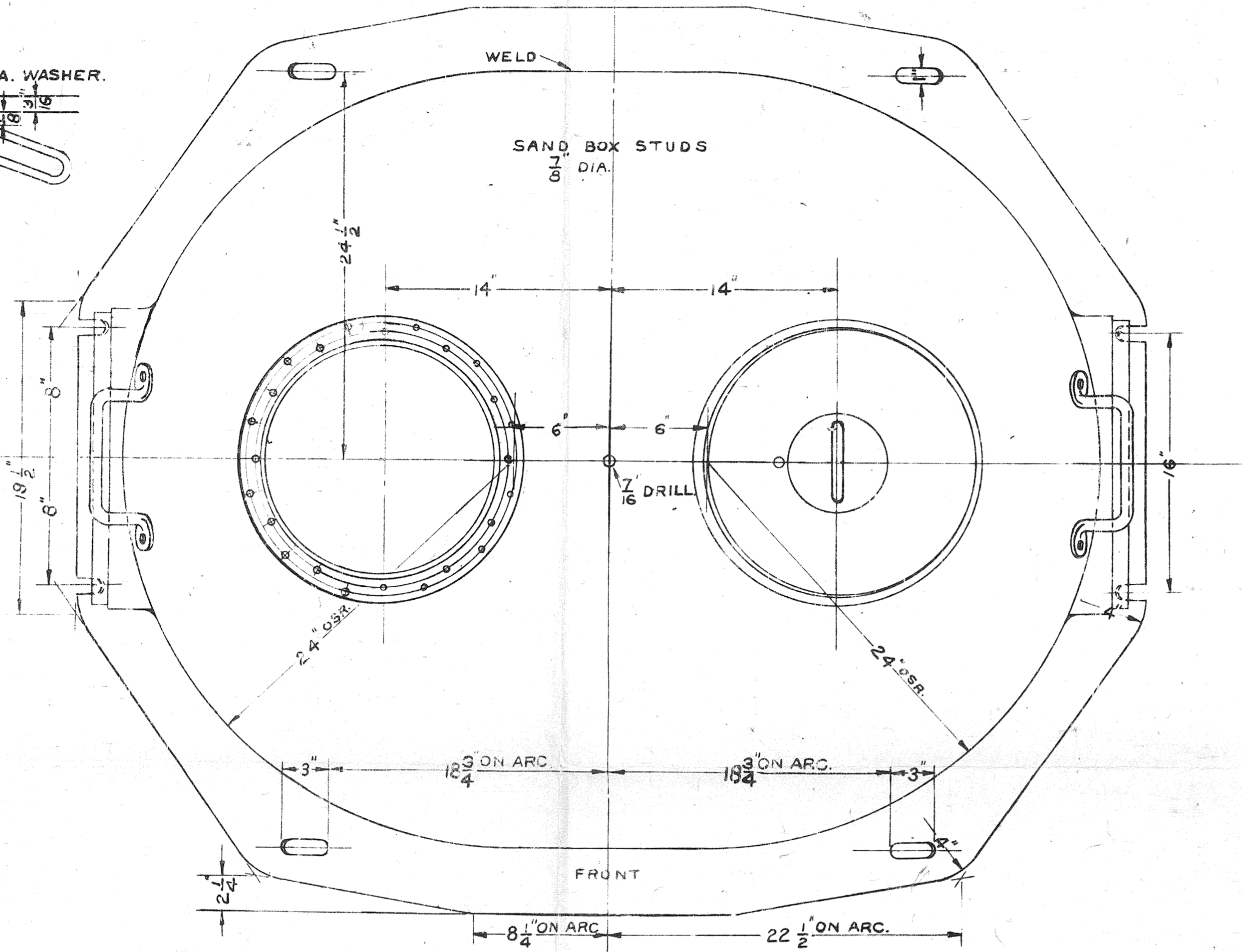
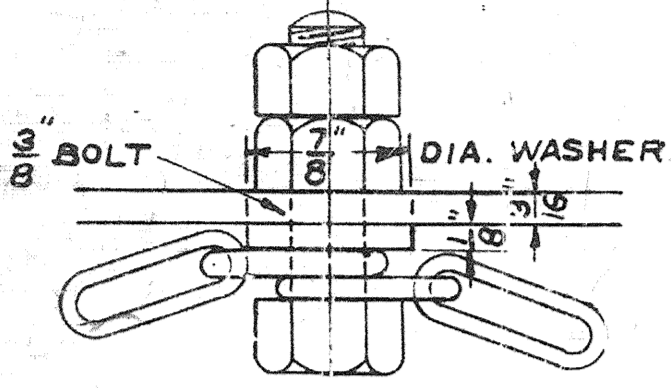


WHERE USED.	LINE No.
P-7, P-7b, P-7c.	1

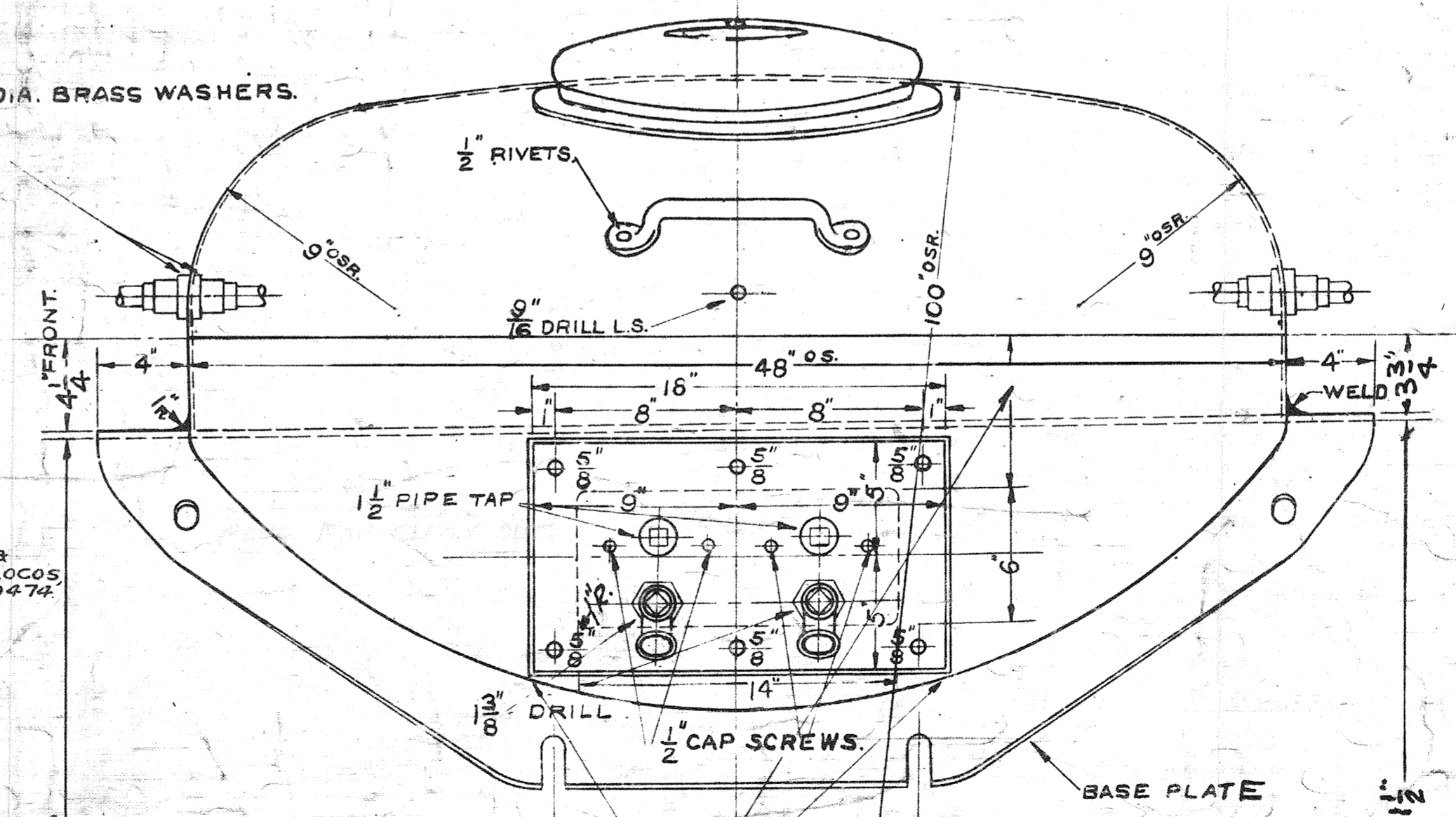
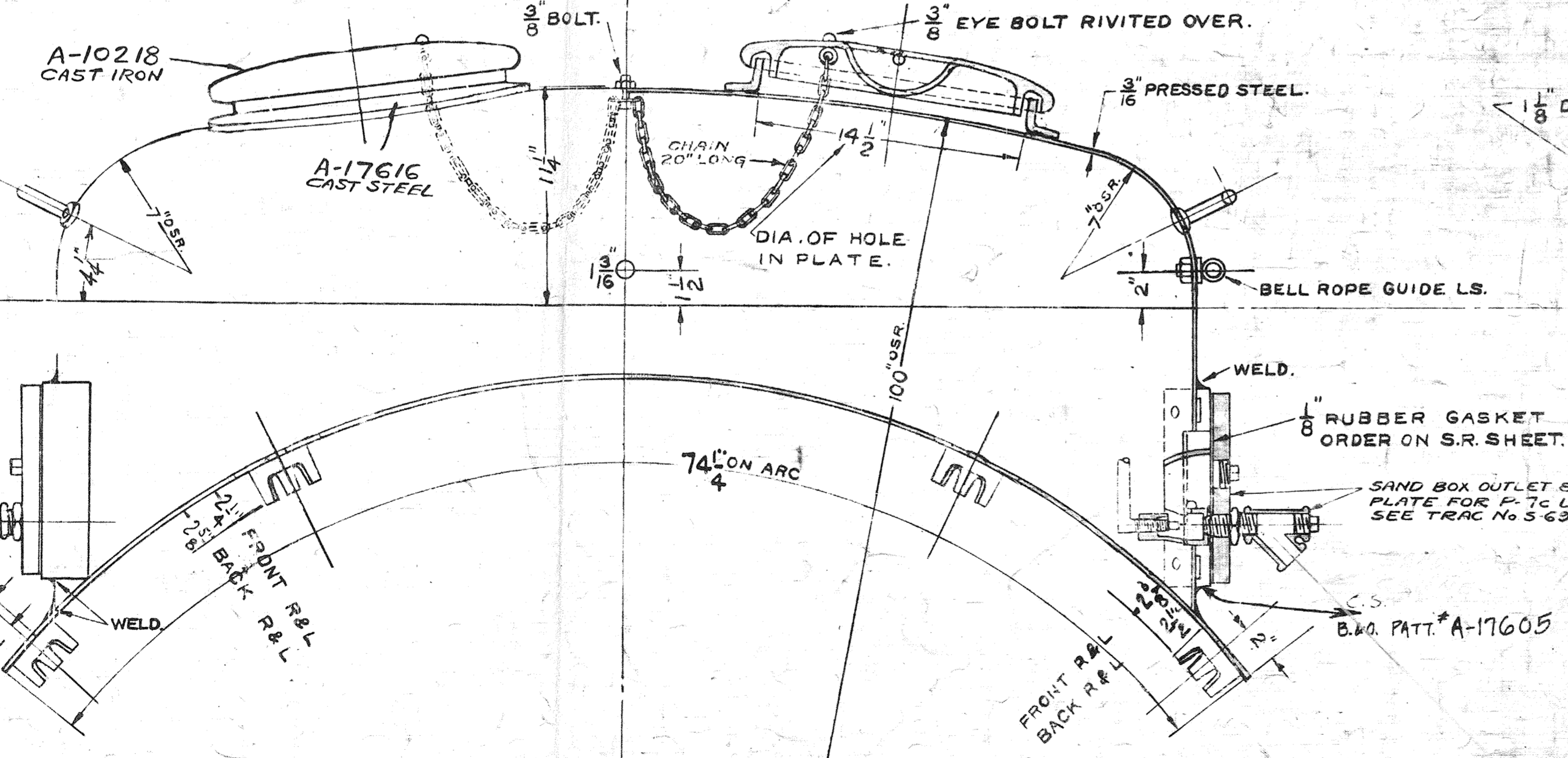
HANLON SANDERS.

SAND BOX COVER CHAIN BOLT.



WELDS TO BE GROUND SMOOTH TO ELIMINATE ANY UNEVENNESS AT WELDED POINTS.

REVISION B, 2-14-44. ADDED CLASS P-7c. CFP



OPENING IN SAND BOX BODY TO BE SO LOCATED THAT THE TWO OUTSIDE CORNERS OF SANDER OUTLET PLATE WILL STRIKE THE SAND BOX BASE PLATE.

FOR SAND BOX DETAILS. TRAC. U-4715. P. SAND BOX CAP. A-10218. T-25116.

THE BALTIMORE & OHIO R.R. CO. LOCOMOTIVES SAND BOX.

MOTIVE POWER DEPT. BALTIMORE 6-1-1927. W. B. Pettit V-47414