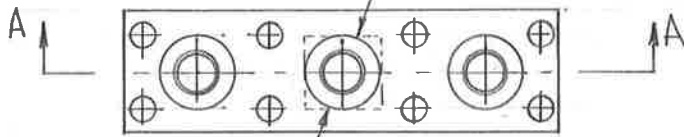


.375 DIA (TYP) OR .375 SQUARE (OPTIONAL)

OUTLET CYLINDER HEAD
BRASS 1 REQD

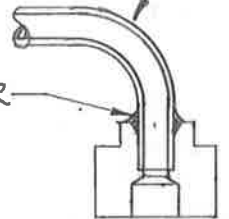


3/16 DIA OUTLET PIPE
3 PLACES

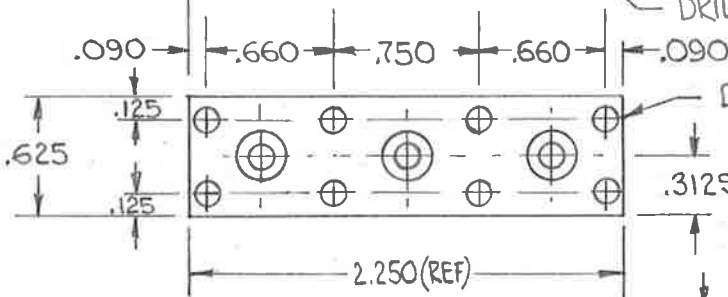
A-A

DRILL 1/4 3 PLACES

SILVER SOLDER

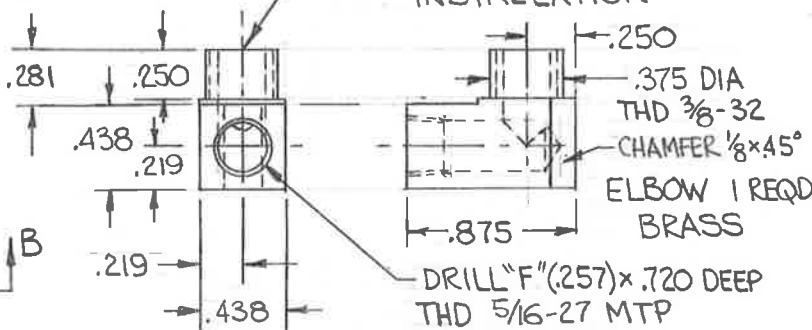


DETAIL OF OUTLET PIPE
INSTALLATION



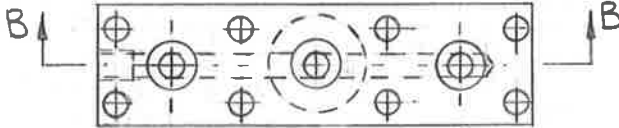
DRILL #28 (.1405)
8 PLACES TO
MATCH INLET
HEAD

DR 1/4 x .375 DEEP

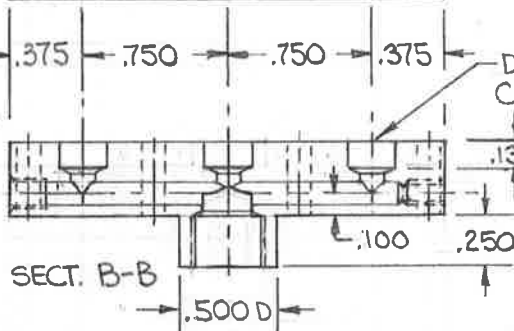


3/8-32
CHAMFER 1/8 x 45°
ELBOW 1 REQD
BRASS

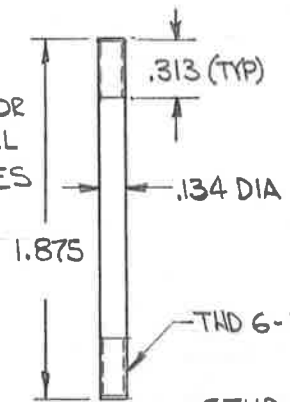
DRILL "F" (.257) x .720 DEEP
THD 5/16-27 MTP



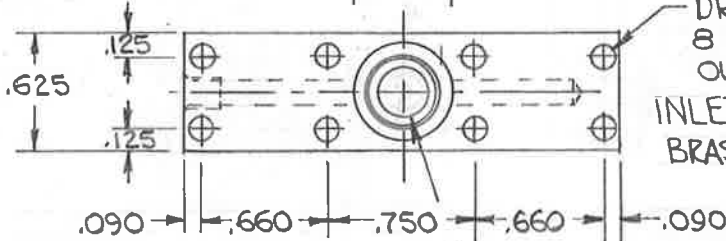
DR #41 (.096) TO CENTER FROM EACH END THD FAR END 1/8-56 MTP PLUG WITH 1/8-56 PLUG DR #30 (.1285) x 2.00 DEEP THD 5/32-40 MTP PLUG FLUSH WITH 5/32-40 MTP PLUG



DRILL #30 (.1285) x .280
C'SINK 120° x .250 DIA TO
DEPTH SHOWN FOR
CHECK VALVE BALL
SEAT 3 PLACES



STUD 8 REQD
STAINLESS STEEL



DRILL #28 (.1405)
8 PLACES TO MATCH
OUTLET HEAD
INLET CYL. HEAD
BRASS 1 REQD

DR 1/4 x .375 DEEP
DR "R" (.339) x .250 DEEP
THD 3/8-32 TO BOTTOM

INLET & OUTLET CYLINDER HEADS
3 CYLINDER WATER PUMP
B & O P-7 #5300 1"
SHEET 4 OF 5 DESIGN BY I. O. ALKIRE 1962