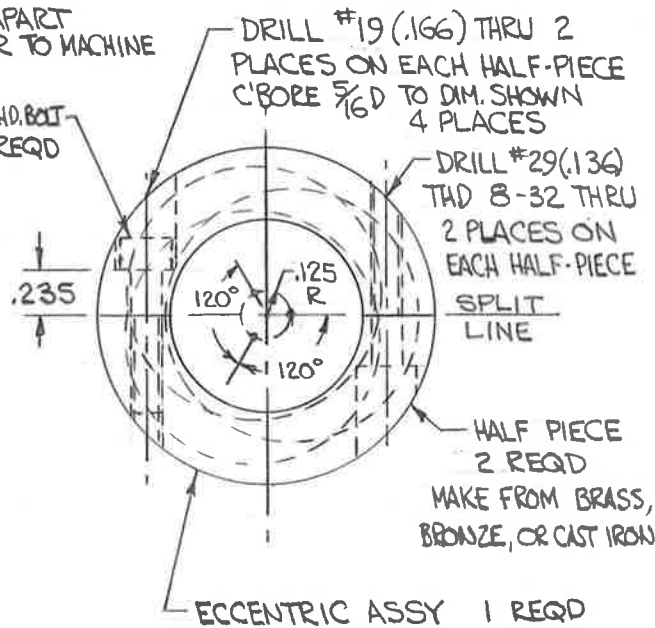
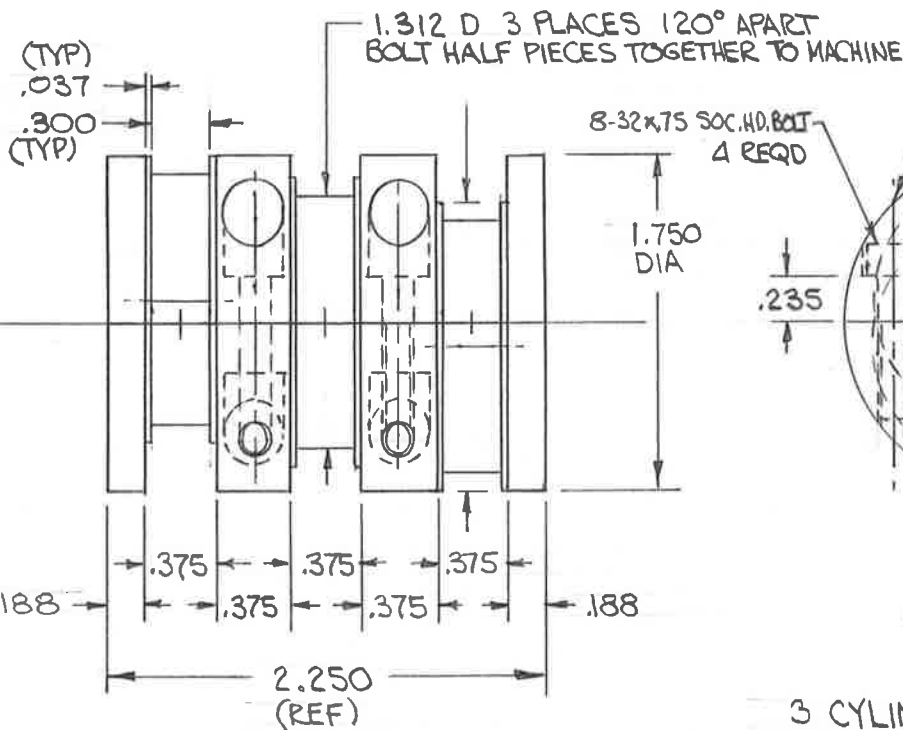


*NOTE: MAY BE MADE FROM A SECTION OF AN OLD AUTOMOBILE CRANKSHAFT.



3 CYLINDER WATER PUMP DETAILS
 B&O P-7 #5300 1"

DESIGN BY I.O. ALKIRE 1962

SHEET 2 OF 5