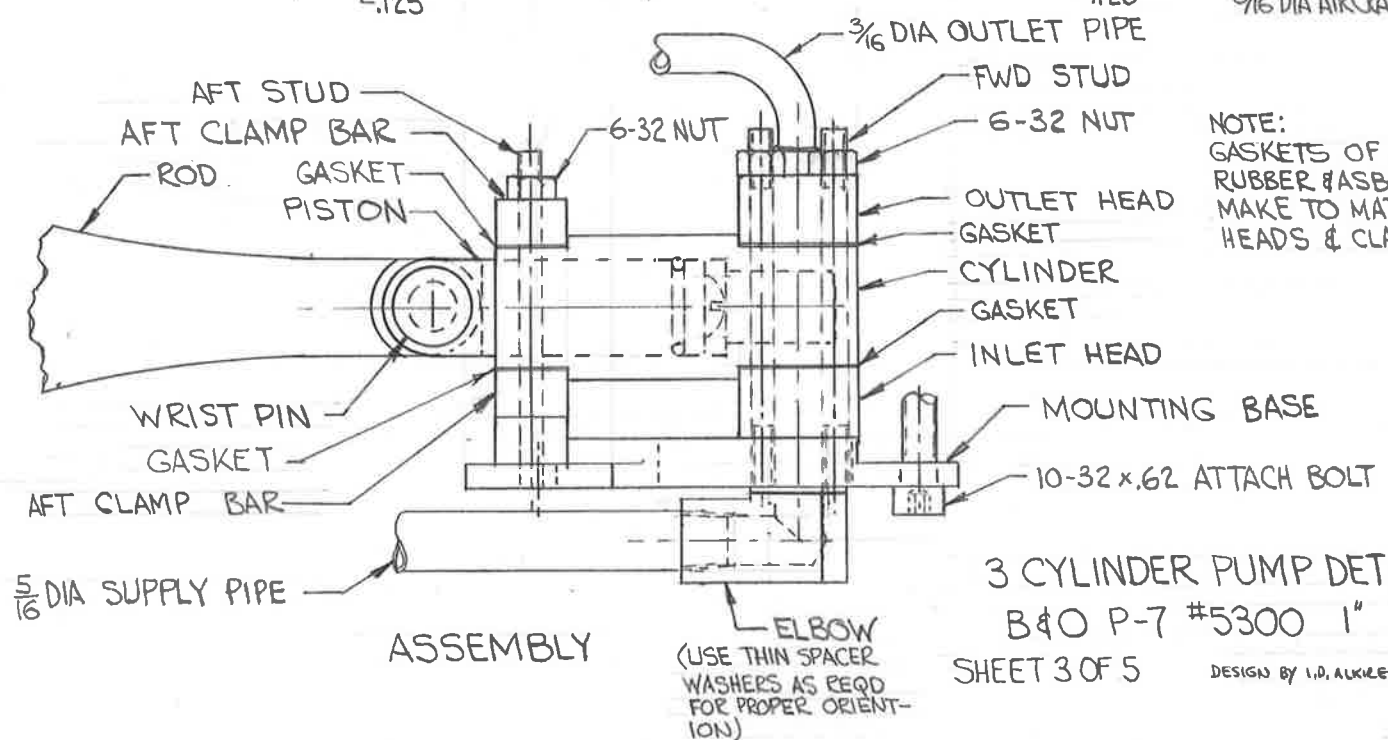


WRIST PIN
3 REQD
NICKEL STEEL
(MAY BE MADE FROM
5/16 DIA AIRCRAFT BOLT)

NOTE:
GASKETS OF 1/32"
RUBBER & ASBESTOS.
MAKE TO MATCH
HEADS & CLAMP BARS



3 CYLINDER PUMP DETAILS
B&O P-7 #5300 1"
SHEET 3 OF 5
DESIGN BY I.D. AUKER 6-6-62