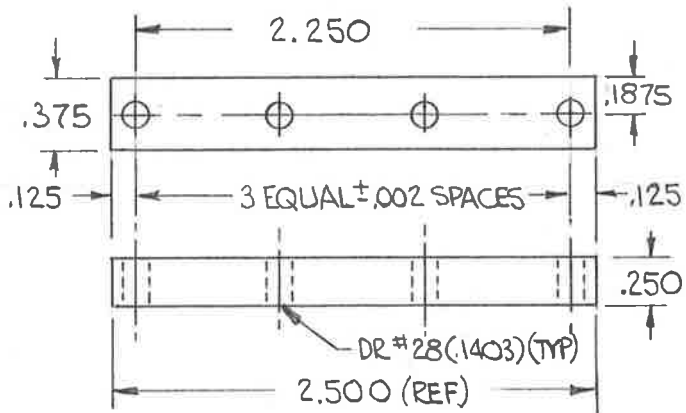
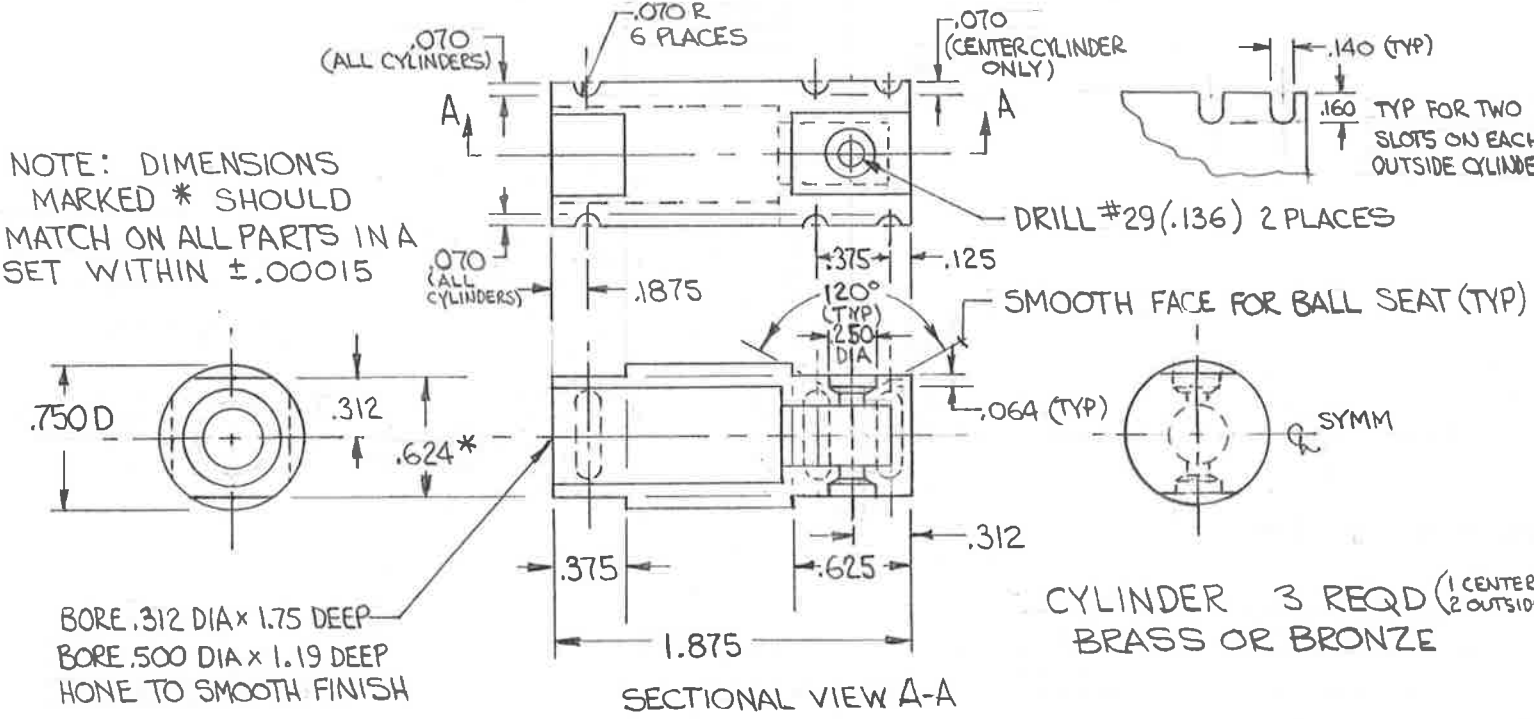
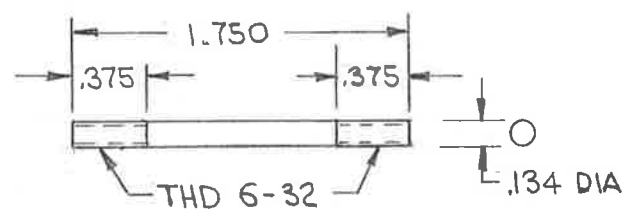


PISTON HEAD 3 REQD
ST STEEL
ATTACH WITH 8-32 R.H.
BRASS OR ST STEEL SCREW



AFT CYLINDER CLAMP BAR
2 REQD STEEL



AFT CYL CLAMP STUD
4 REQD STAINLESS STEEL