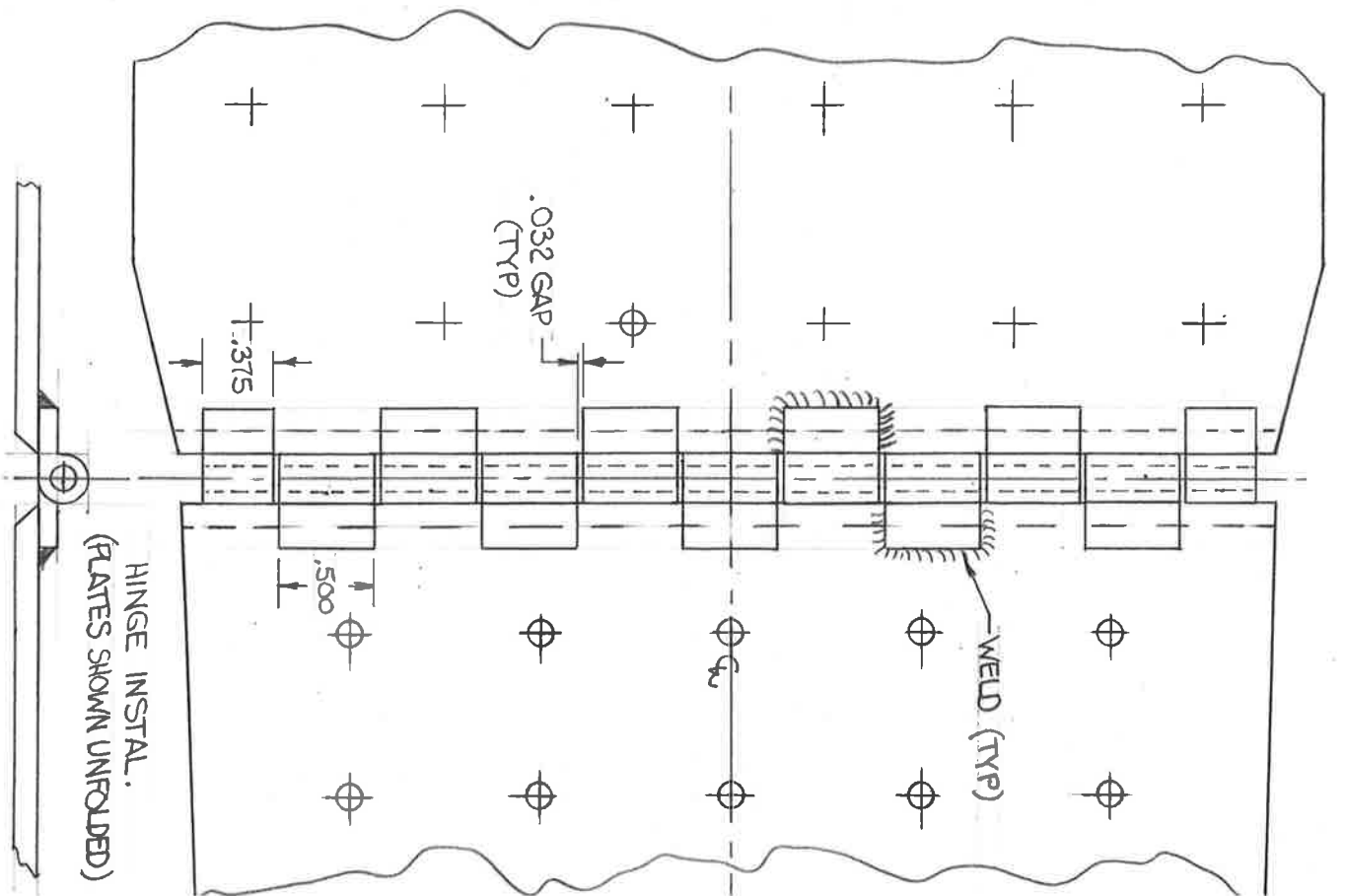
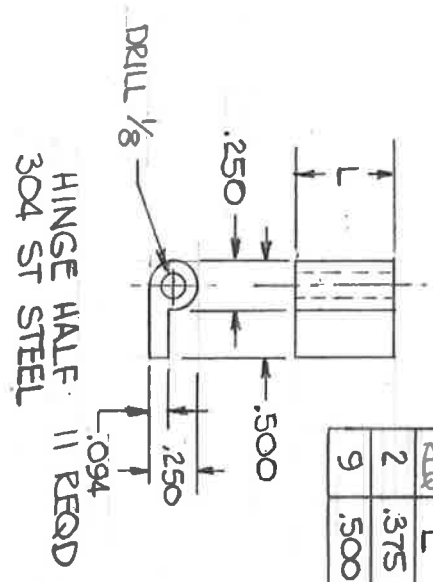


REQ	L
2	.375
9	.500



FIREBOX ARCH DETAILS
B&O P-7 #5300 1"
I.D. ALKIRE 1964

DRILL $\frac{1}{8}$ 18 HOLES TO MATCH FORWARD PLATE

DRILL $\frac{1}{8}$ 18 HOLES

2.240
3.240

6.280

1.000 (TYP)

500 (TYP)

3.140

2.240

.250

2.665

2.312 2 EQ SRC

$\frac{1}{16}$

42.75°

2.880

5.760

3.440 (TYP)

.250

2.312 2 EQ SRC

3.140

6.280

3.240

5.780

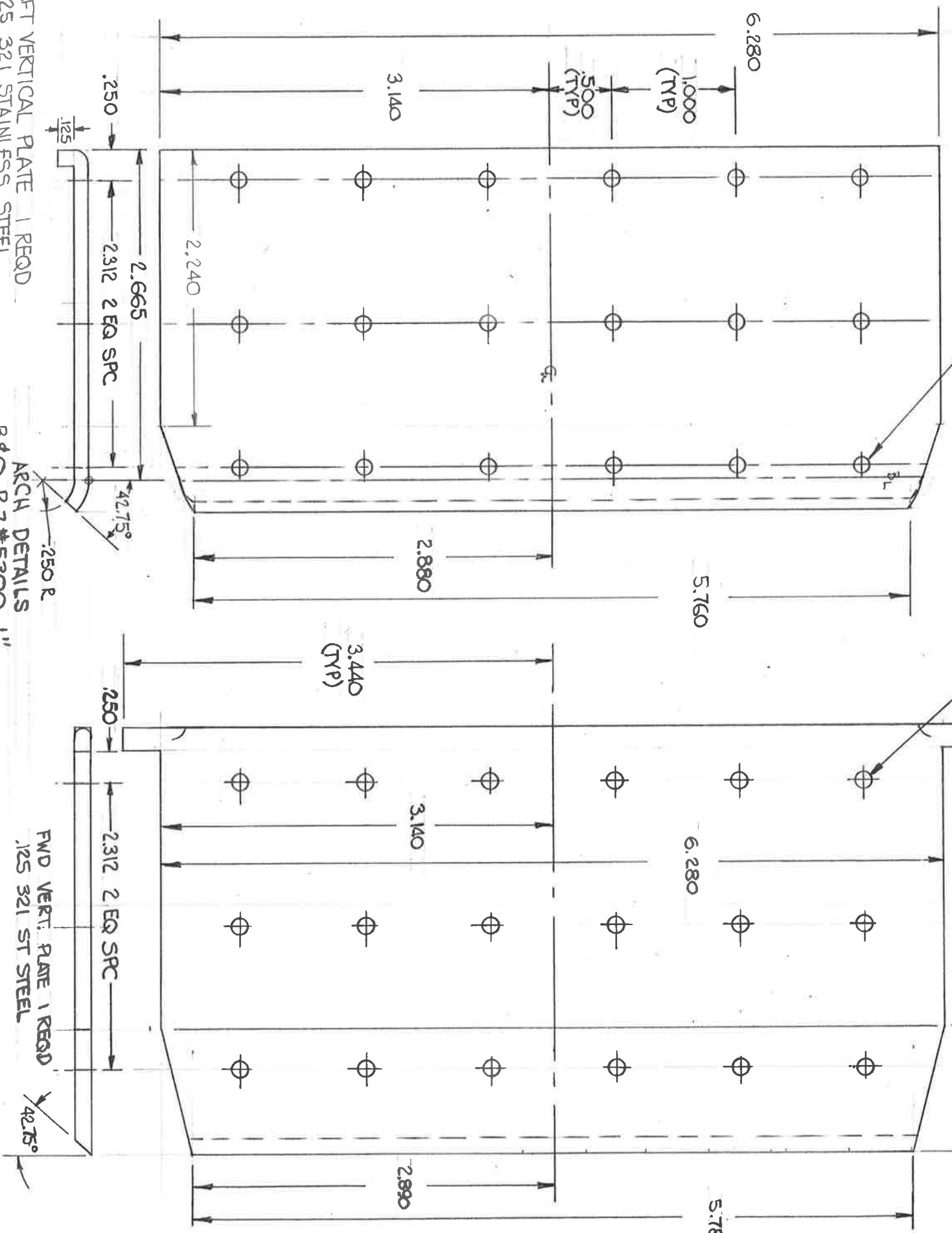
2.890

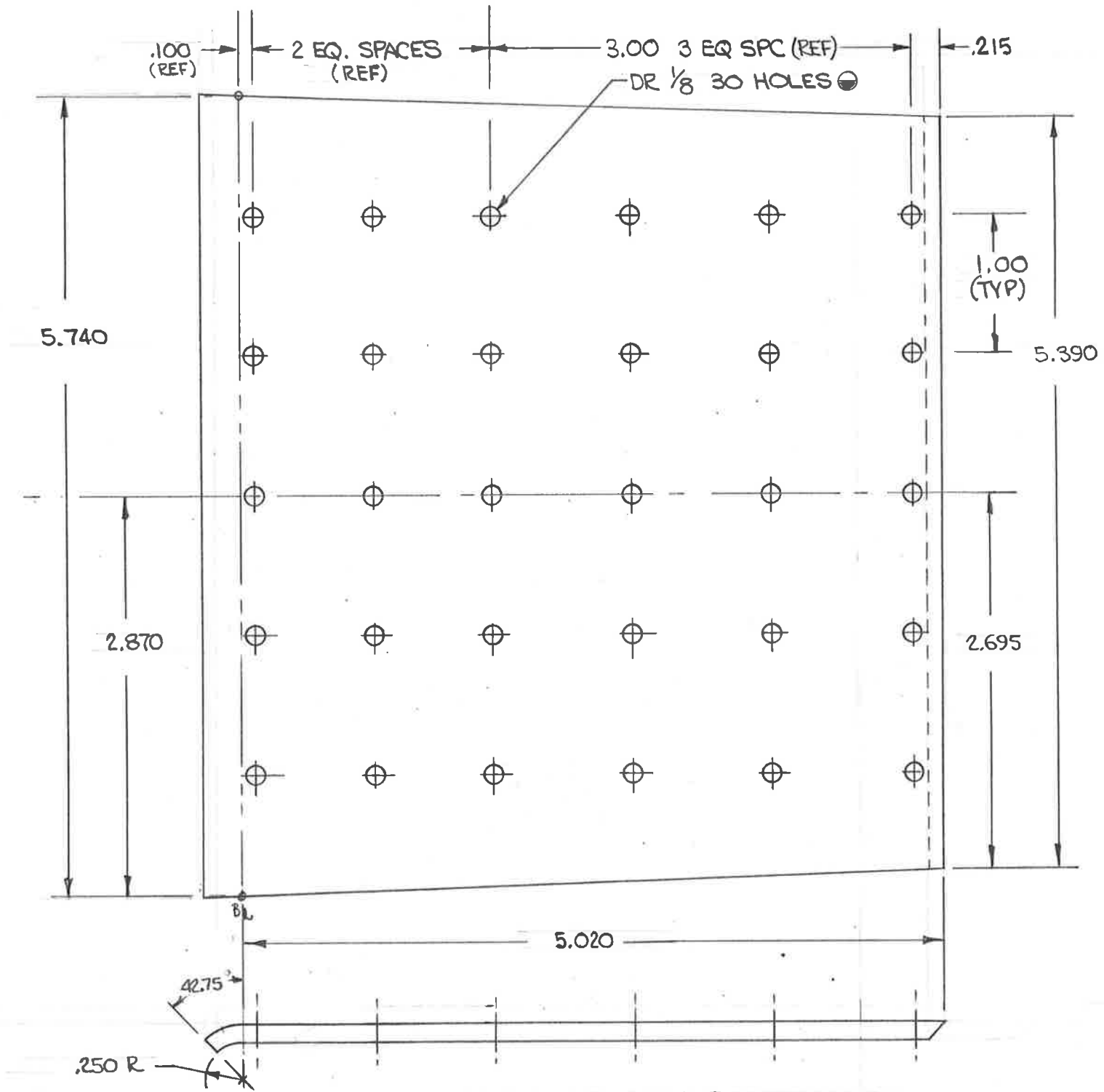
AFT VERTICAL PLATE 1 REQD
.125 321 STAINLESS STEEL

ARCH DETAILS
B&O P-7 #5300 1"
I.D. ALKIRE 1964

FWD VERT. PLATE 1 REQD
.125 321 ST STEEL

42.75°

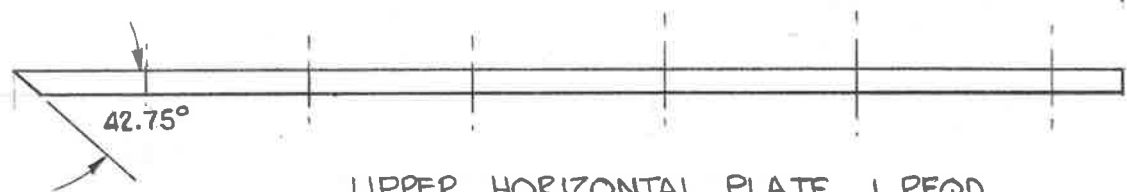
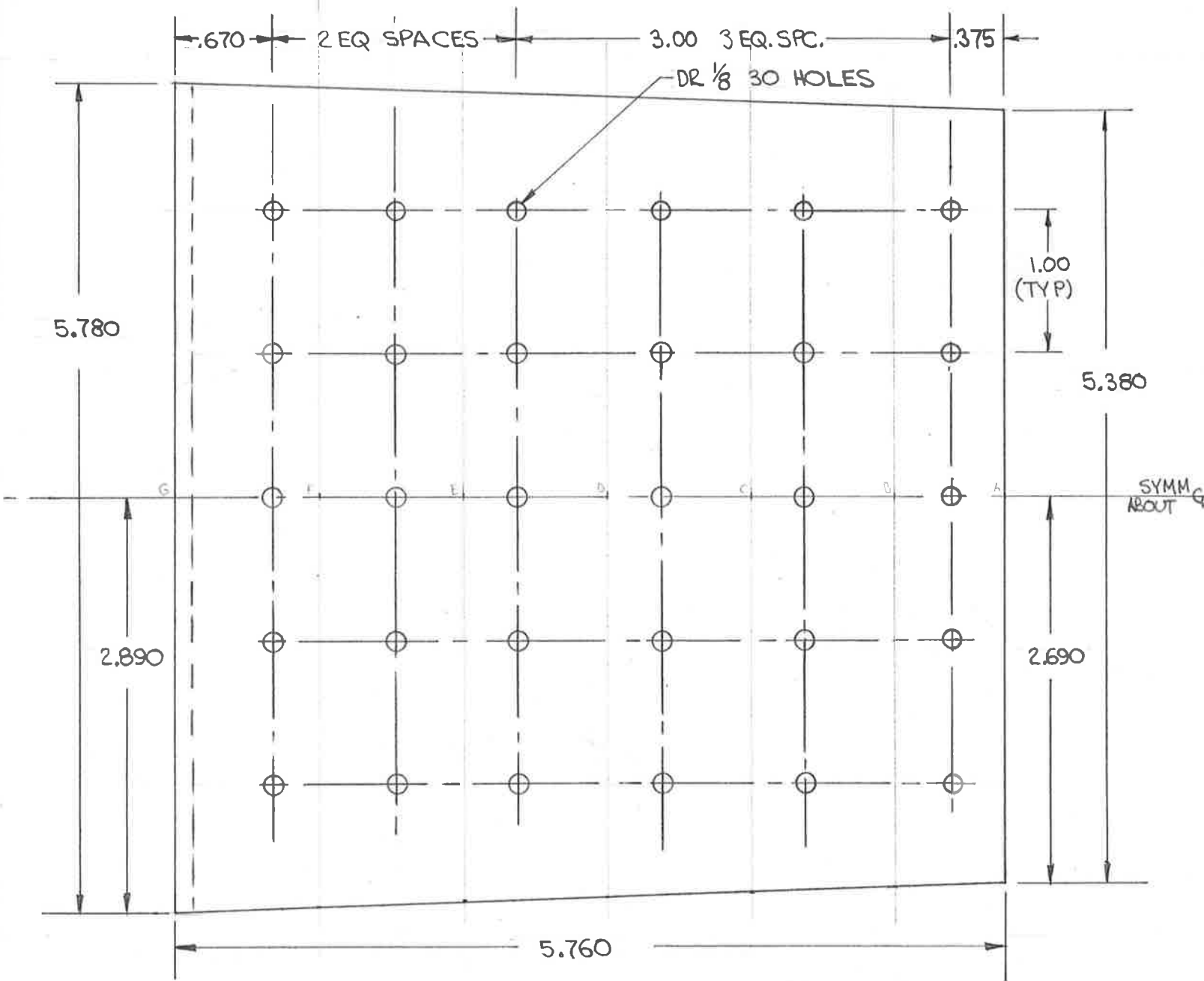




LOWER HORIZONTAL PLATE 1 REQD
 .125 321 ST. STEEL

NOTE ⊙ HOLES LOCATED FROM UPPER HORIZ. PLATE

ARCH DETAIL PART
 B&O P-7 #5300 1"
 I.O. ALKIRE 1963



UPPER HORIZONTAL PLATE 1 REQD
 .125 321 ST. STEEL

ARCH DETAIL PART
 B&O P-7 *5300 1"
 I.D. ALKIRE 1963