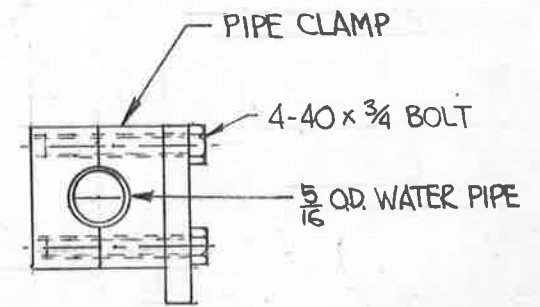


NOTE:

1. FOR SECTION A-A SEE SHEET 2
2. FOR SECTION B₁-B₁ SEE SHEET 3
3. FOR SECTION B₂-B₂ SEE SHEET 4
4. FOR SECTION B₃-B₃ SEE SHEET 5
5. FOR SECTION C-C SEE SHEET 6
6. FOR DETAILS SEE SHEETS
7. FOR TOP VIEW SEE SHEET



SECTION D-D

ASH PAN
 B&O P-7 #5300 1"
 SHEET 1 OF ALKIRE '61