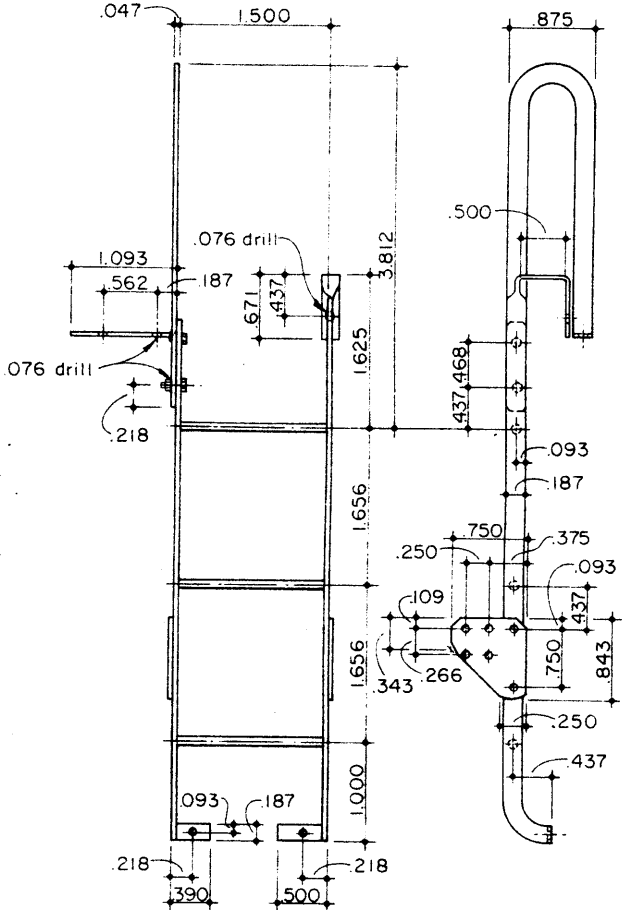
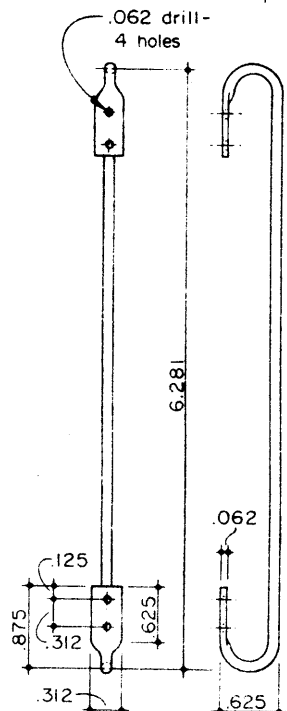


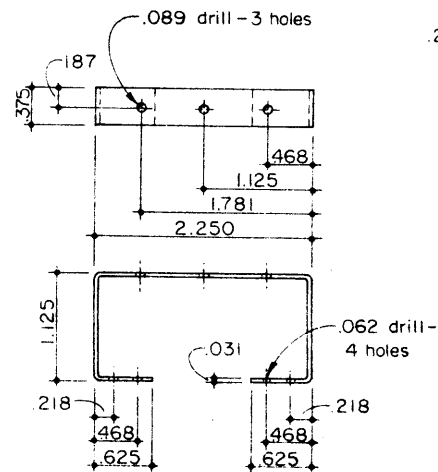
245 WATER HATCH
Brass
1 Required



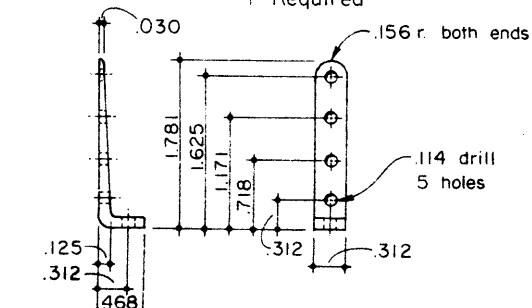
233 REAR LADDER
Cold Rolled Steel
1 Required



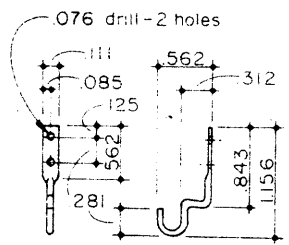
231 TENDER HANDRAIL
.109 Dia. Wire
4 Required



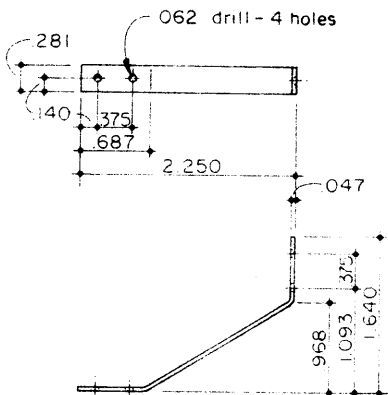
243 AIR TANK BRACE
Cold Rolled Steel
2 Required



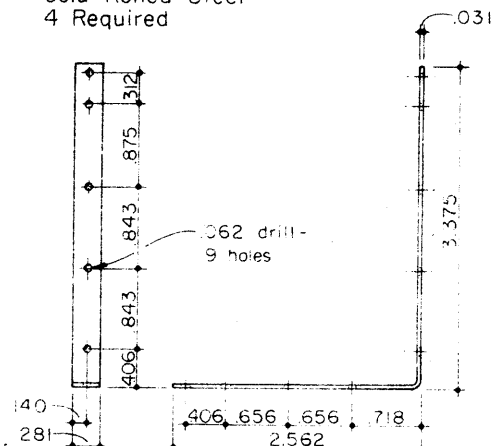
234 TANK TIEDOWN BRACKET
Cold Rolled Steel
4 Required



232 HANGER BRACKET
.062 Dia. Wire
1 Required



242 BUNKER BRACE
Cold Rolled Steel
4 Required



244 BULKHEAD ANGLE
Cold Rolled Steel
1 Required