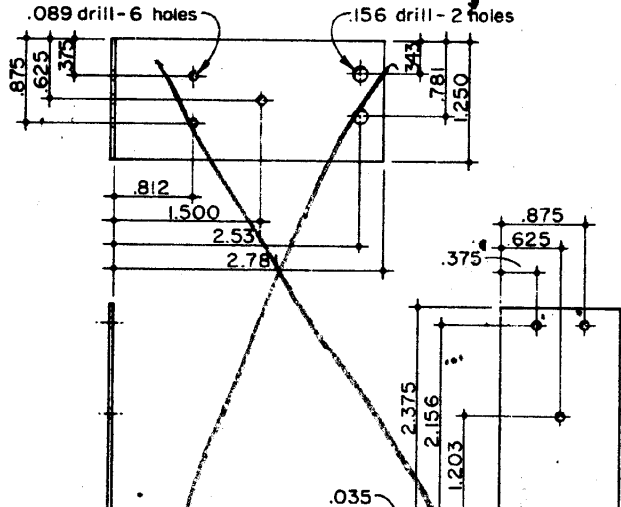
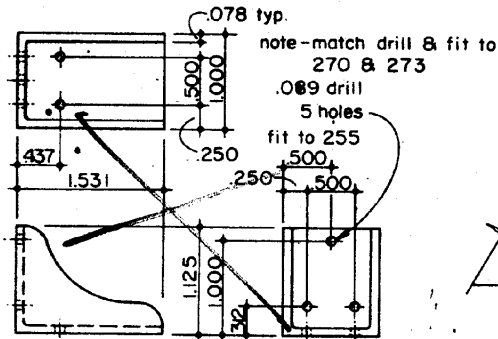


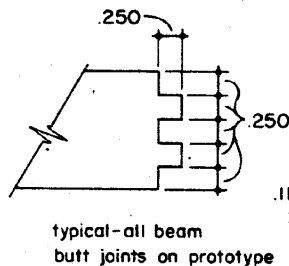
270 TENDER FRAME BRACKET
Cold Rolled Steel
2 Required



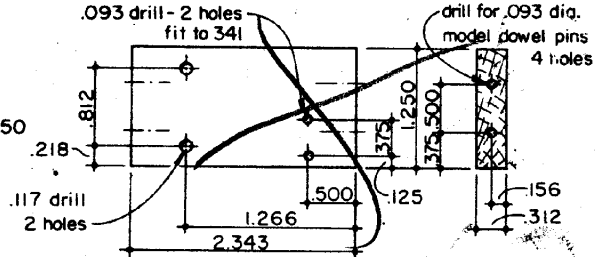
273 TENDER FRAME BRACKET
Cold Rolled Steel
2 Required



343 CORNER GUSSET
Cold Rolled Steel
4 Required



265 TENDER CROSS BRACE,
Seasoned Oak
4 Required



typical-all beam
butt joints on prototype