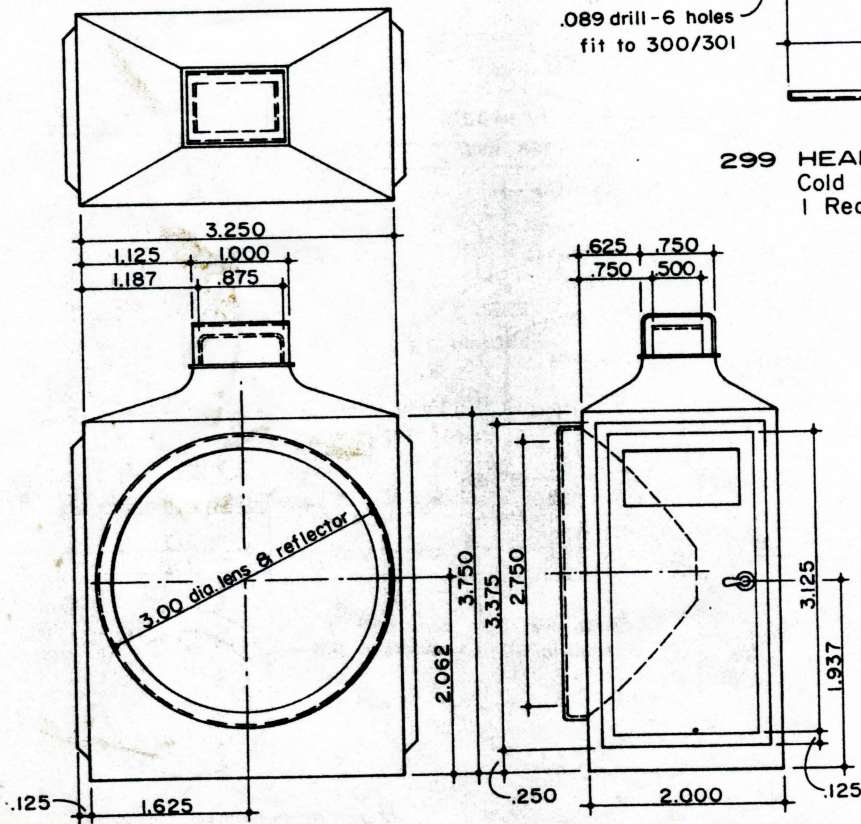
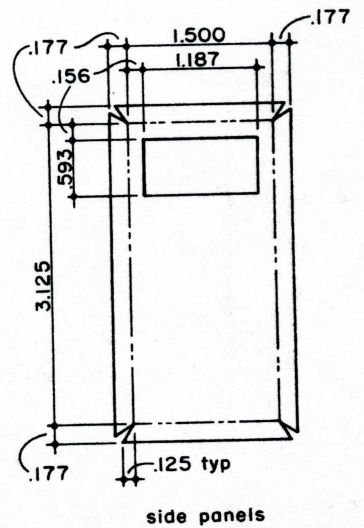


299 HEADLIGHT MOUNTING BASE
Cold Rolled Steel
1 Required



302 HEADLIGHT
Cold Rolled Steel (20 Ga.)
1 Required



side panels