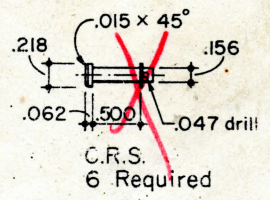
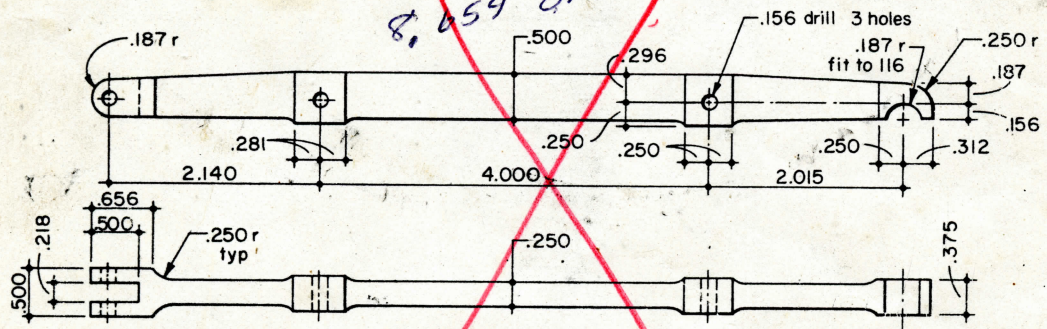
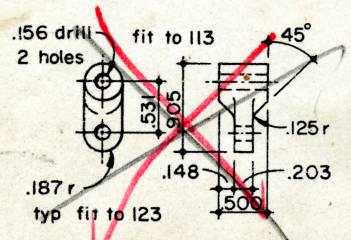


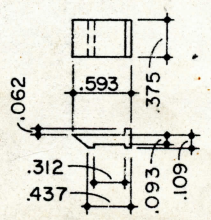
~~8,654 07~~



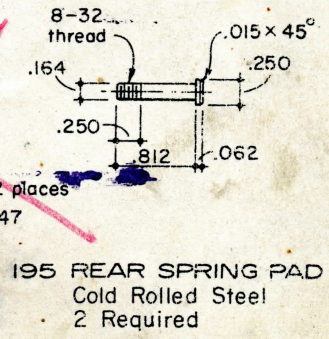
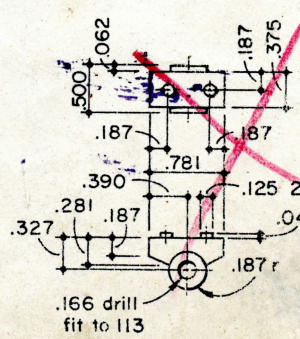
~~123 FIREBOX EQUALIZER
Brass Casting
2 Required~~



~~112 REAR LINK
Cold Rolled Steel
2 Required~~



~~210 SPRING END PAD
Cold Rolled Steel
4 Required~~



~~195 REAR SPRING PAD
Cold Rolled Steel
2 Required~~