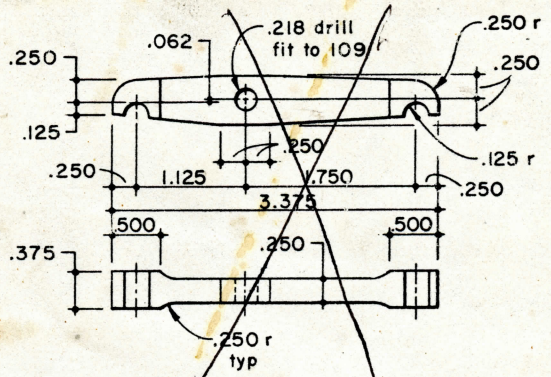
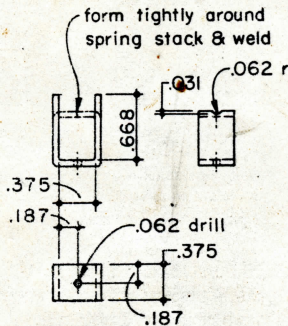
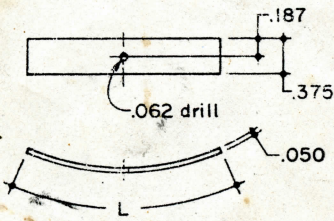


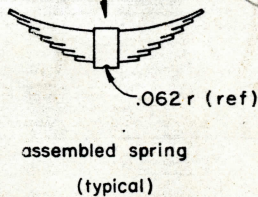
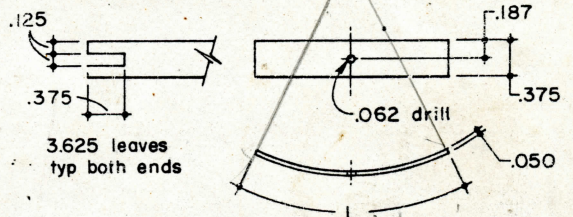
**113 REAR DRIVER EQUALIZER**  
 .093 Cold Rolled Steel  
 4 Required



**124 FRONT EQUALIZER**  
 Brass Casting  
 2 Required



C.R.S.  
 1 required  
 each spring assembly



assembled spring  
 (typical)

5 L required

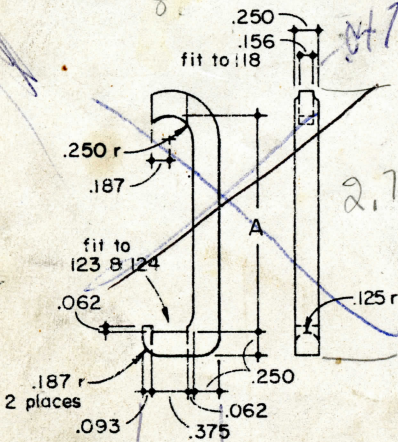
.875	
1.375	
1.875	
2.375	
2.875	
3.375	
3.875	
4.375	
4.625	

7 L required

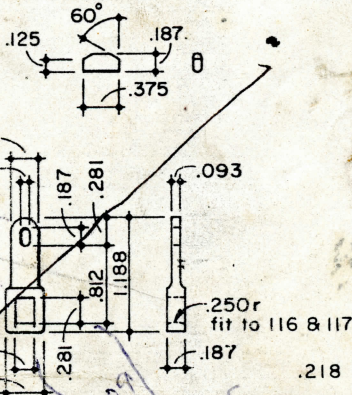
.750	
1.125	
1.500	
1.875	
2.250	
2.625	
3.000	
3.625	2

**224 FIREBOX SPRING**  
 Tempered Spring Steel  
 2 Required

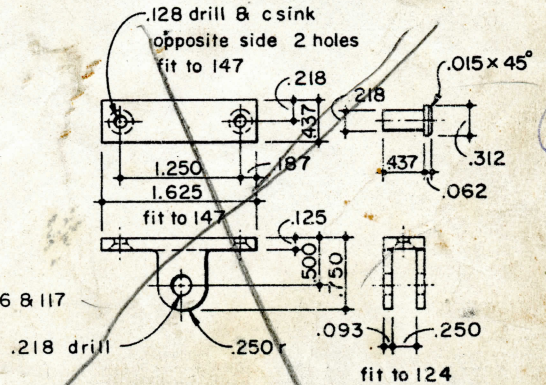
**223 MAIN SPRING**  
 Tempered Spring Steel  
 4 Required



**116 SPRING HANGER**  
 Brass Casting  
 A = 2.250 2 Required



**118 SPRING END HANGER**  
 Cold Rolled Steel  
 8 Required



**109 EQUALIZER BEARING**  
 Cold Rolled Steel  
 2 Required

*Handwritten notes:*  
 1.25  
 2.25  
 3.25  
 4.25  
 5.25

*Handwritten notes:*  
 24

*Handwritten notes:*  
 33.5 springs  
 901  
 450  
 20  
 20  
 20  
 20  
 80  
 40  
 30  
 90  
 170

*Handwritten note:*  
 780