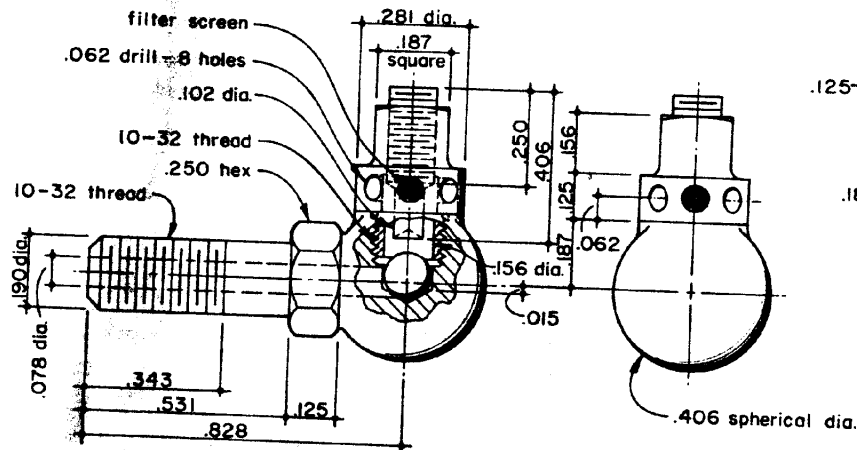
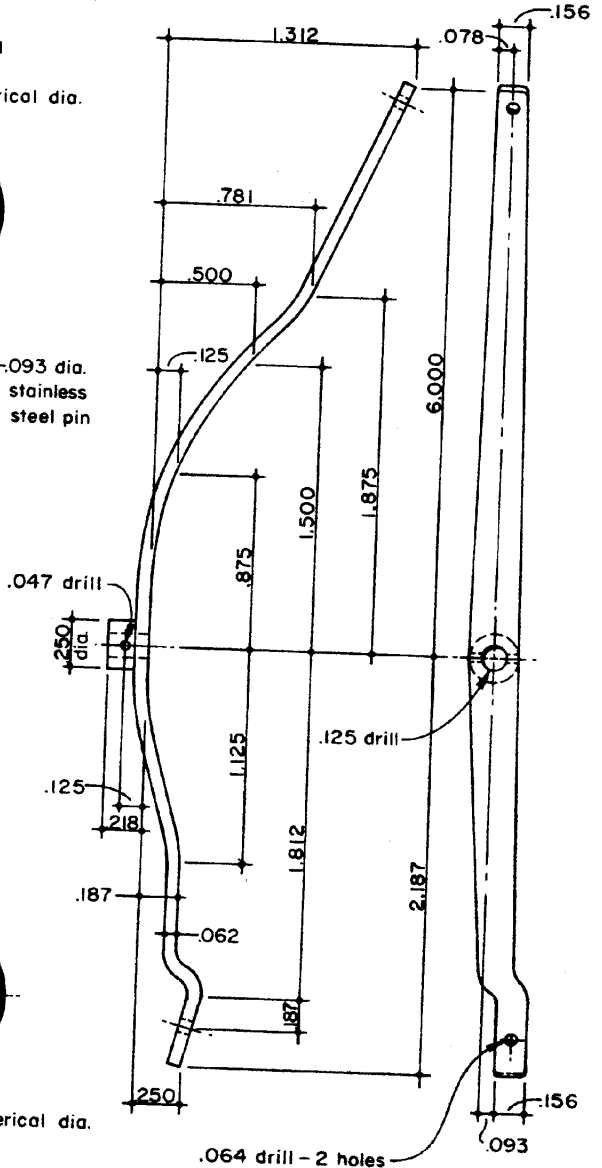


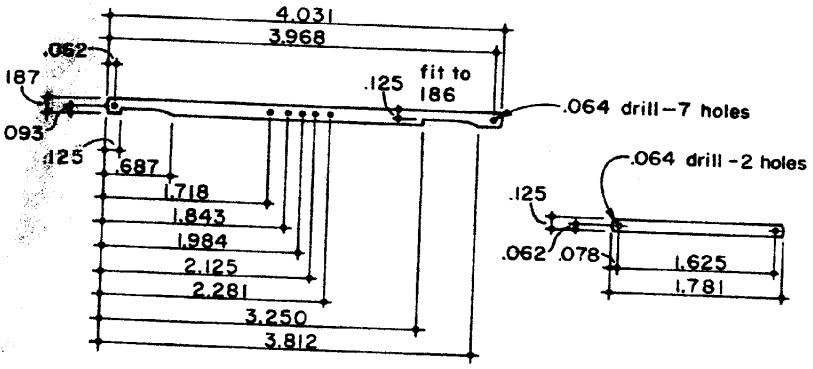
186 DRIFTER VALVE
Brass
4 Required



187 SNIFFER VALVE
Brass
2 Required



280 R.H. DRIFTER LEVER
Cold Rolled Steel
1 Required



353 DRIFTER LIFT LINK

