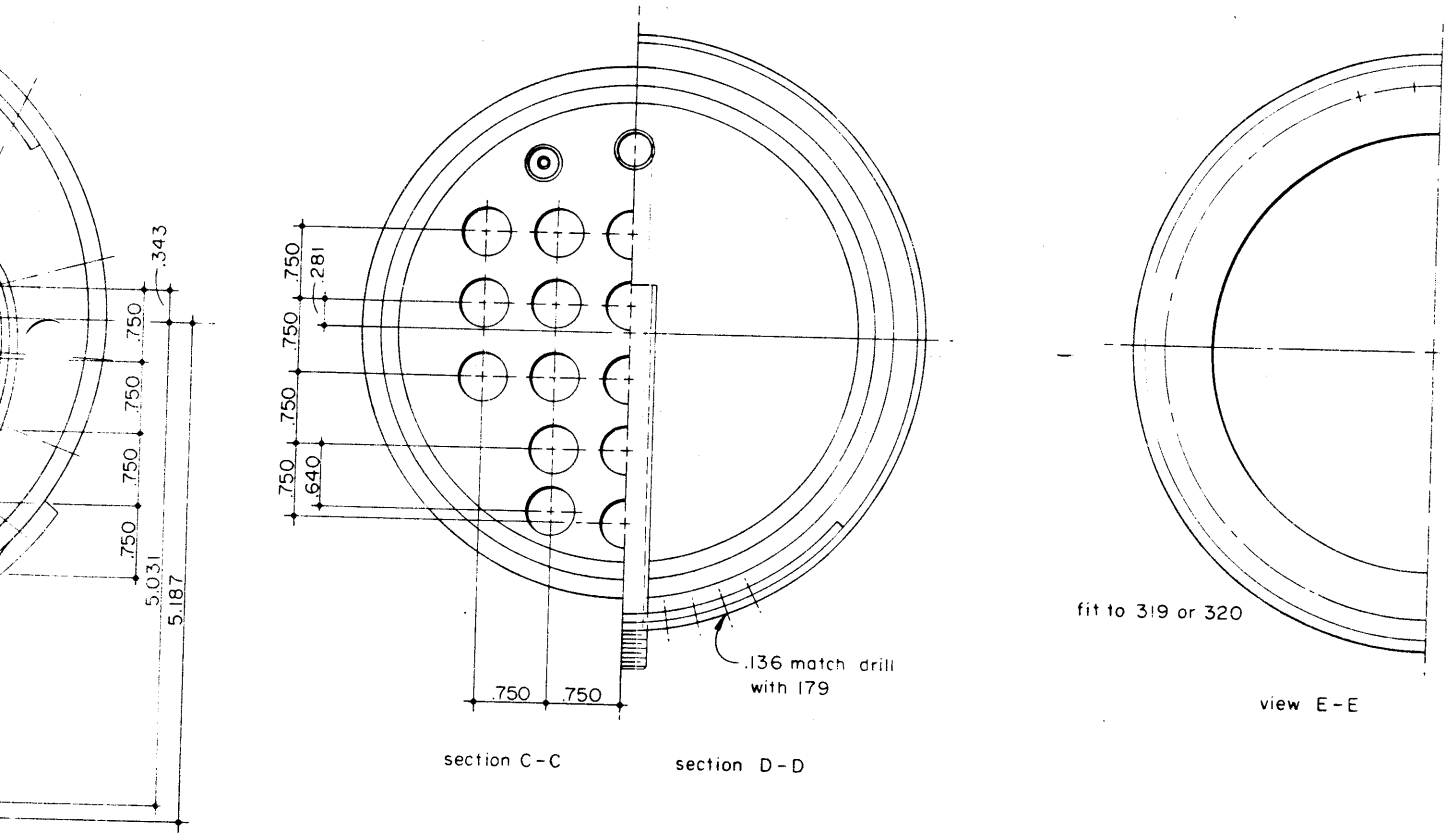


Warren Weston has 1/2" scale castings and drawings available for the D&RGWW 4-6-0. Some rolling stock castings are also available. See his ad on page 53 for further information.



section C-C

section D-D

view E-E